

ITEM	DESCRIPTION	G3101 SPARES No	G3101 OTC SPARES No	G3117 SPARES No	G3107 SPARES No
1	REAR HOB RAIL	535290017	535290017	535290017	535290017
2	FRONT HOB RAIL	535290018	535290018	535290018	535290018
3	RH OUTER SIDE PANEL	535200001	535200001	535200001	535200001
4	LH OUTER SIDE PANEL	535200000	535200000	535200000	535200000
5	CONTROL PANEL	535290019	535300001	535320000	535310009
6	RH DOOR ASSEMBLY (GLASS DOOR FOR OTC)	535290020	535300002	535290020	535290020
6.1	DOOR HANDLE	535290022	535290022	535290022	535290022
6.2	DOOR CATCH	535480054	535480054	535480054	535480054
6.3	DOOR HINGE BUSH	535480077	535480077	535480077	535480077
7	LH DOOR ASSEMBLY (GLASS DOOR FOR OTC)	535290021	535300003	535290021	535290021
7.1	DOOR HANDLE	535290022	535290022	535290022	535290022
7.2	DOOR CATCH	535480054	535480054	535480054	535480054
7.2	DOOR HINGE BUSH	535480077	535480077	535480077	535480077
8	TOP DOOR HINGE - LH	535200006	535200006	535200006	535200006
9	BOTTOM DOOR HINGE - LH	535200007	535200007	535200007	535200007
10	TOP DOOR HINGE - RH	535200008	535200008	535200008	535200008
11	BOTTOM DOOR HINGE - RH	535200009	535200009	535200009	535200009
12	DOOR CATCH KEEPER	535200013	535200013	535200013	535200013
13	DOOR SEAL	535200005	535210001	535200005	535200005
14	OVEN SHELF HANGER	535200012	535200012	535200012	535200012
15	OVEN SHELF	535290023	535290023	535290023	535290023
16	OVEN BASE PLATE PRE JAN 17	535290024	535210002	535290024	535290024
16	OVEN BASE PLATE POST JAN 17	535290080	NO CHANGE	535290080	535290080
17	O/T - SOLID TOP CONTROL KNOB	535290025	535290025	N/A	535310010
18	OVEN CONTROL KNOB	535290026	535300004	535290026	535290026
19	PAN SUPPORT	535290027	535290027	N/A	N/A
20	ADJUSTABLE FOOT	535290028	535290028	535290028	535290028
21	REAR FIXED CASTOR (NOT SHOWN)	534103055	534103055	534103055	534103055
22	FRONT SWIVEL CASTOR (NOT SHOWN)	530964350	530964350	530964350	530964350
23	SOLID TOP CASTING COMPLETE	N/A	N/A	N/A	535400170
23.1	SOLID TOP CENTRE & RING SET	N/A	N/A	N/A	535400160
24	HOB SIDE DRIP SHED	N/A	N/A	535410018	535410018
25	GP OVEN WORKTOP PANEL (NOT SHOWN)	N/A	N/A	535470002	N/A

PRODUCTION ISSUE

ISSUE	MOD No	ALTERATION	DRAWN BY	DATE
B	8093	ADDITION OF PRE & POST DATES FOR OVEN BOTTOM PLATES	F.GARVOCK	20/04/18

IF IN DOUBT ASK
DO NOT SCALE
FIRST ANGLE PROJECTION

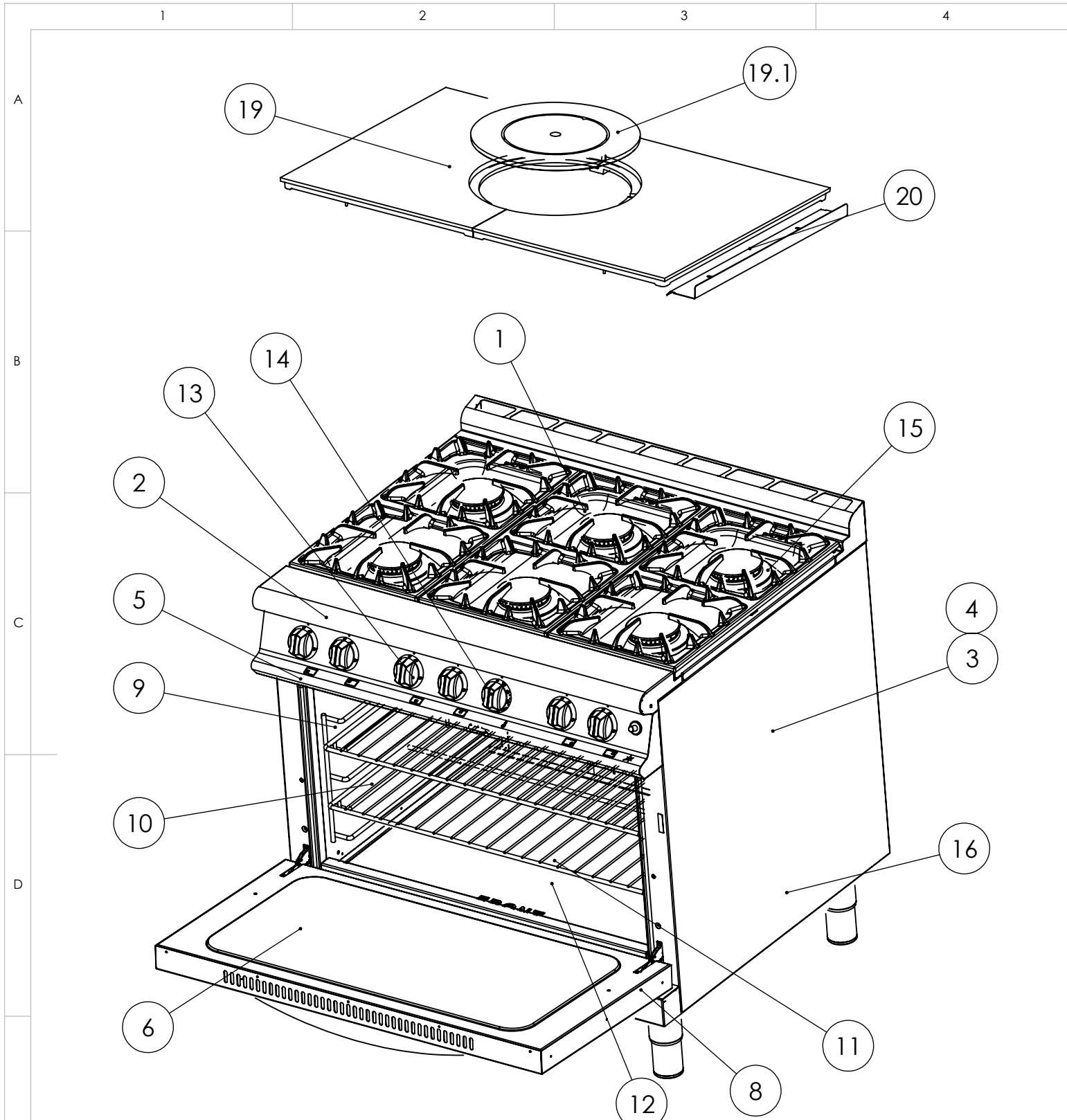
UNLESS OTHERWISE SPECIFIED:
DIMENSIONS ARE IN MILLIMETERS
TOLERANCES:
LINEAR: ±0.5mm
ANGULAR: ±0.5 DEG

DEBUR AND
BREAK SHARP EDGES

WEIGHT: g



DRAWN: IAIN JAMES	PRODUCT	G3101/OTC/17/07	
DATE: 31/05/11	TITLE	G3101 SPARES - FITMENTS	
SCALE: 1:10	DRAWING NUMBER	AA48639	ISSUE
MATL:	FINISH:		B
THICKNESS:	PART No:		
BIN No:			



		G3101D	G3117D	G3107D
ITEM	DESCRIPTION	SPARES No	SPARES No	SPARES No
1	REAR HOB RAIL	535290017	535290017	535290017
2	FRONT HOB RAIL	535290018	535290018	535290018
3	RH OUTER SIDE PANEL	535200001	535200001	535200001
4	LH OUTER SIDE PANEL	535200000	535200000	535200000
5	CONTROL PANEL	535290019	535320000	535310009
6	OVEN DOOR ASSEMBLY	535290036	535290036	535290036
6.1	DOOR HANDLE	535290037	535290037	535290037
6.2	DOOR HINGE SET	535290038	535290038	535290038
7	DOOR HINGE PLATE SET	535290039	535290039	535290039
8	BOTTOM SKIRT PANEL	535290040	535290040	535290040
9	DOOR SEAL	535200005	535200005	535200005
10	OVEN SHELF HANGER	535200012	535200012	535200012
11	OVEN SHELF	535290023	535290023	535290023
12	OVEN BASE PLATE PRE JAN 17	535290041	535290041	535290041
12	OVEN BASE PLATE POST JAN 17	535290083	535290083	535290083
13	O/T - SOLID TOP CONTROL KNOB	535290025	N/A	535310010
14	OVEN CONTROL KNOB	535290026	535290026	535290026
15	PAN SUPPORT	535290027	N/A	N/A
16	ADJUSTABLE FOOT	535290028	535290028	535290028
17	REAR FIXED CASTOR (NOT SHOWN)	534103055	534103055	534103055
18	FRONT SWIVEL CASTOR (NOT SHOWN)	530964350	530964350	530964350
19	SOLID TOP CASTING COMPLETE	N/A	N/A	535400170
19.1	SOLID TOP CENTRE & RING SET	N/A	N/A	535400160
20	HOB SIDE DRIP SHED	N/A	535410018	535410018
21	GP OVEN WORKTOP PANEL (NOT SHOWN)	N/A	535470002	N/A

PRODUCTION ISSUE

ISSUE	MOD No	ALTERATION	DRAWN BY	DATE
A	1340/2	PRODUCTION ISSUE	I.JAMES	06/07/12
B	6834	OUTER SIDE PANEL SPARES CODES CHANGED	P.METCALFE	01/03/13
C	8093	ADDITION OF PRE & POST DATES FOR OVEN BASE PLATES	F.GARVOCK	23/04/18

IF IN DOUBT ASK
DO NOT SCALE
FIRST ANGLE PROJECTION

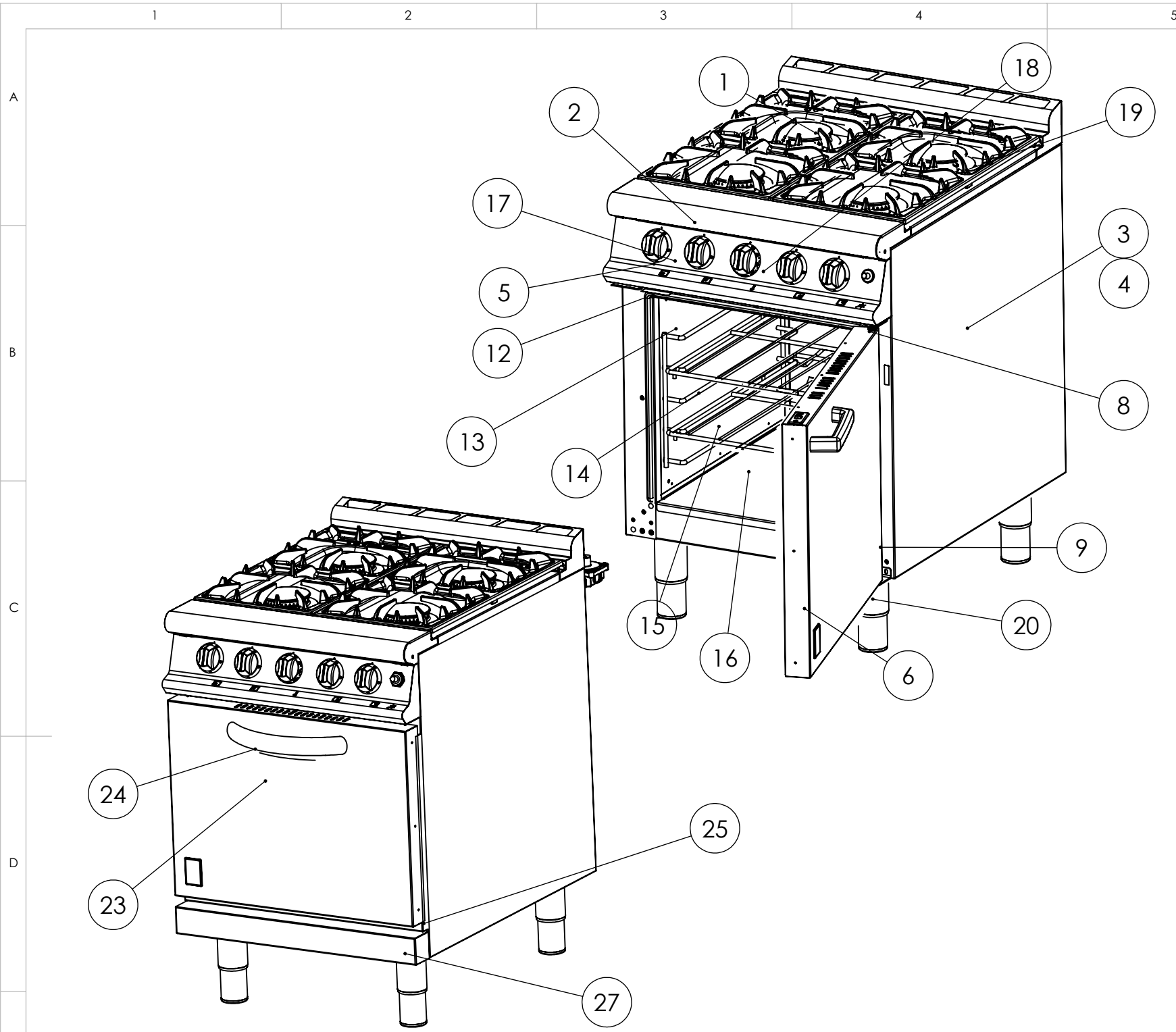
UNLESS OTHERWISE SPECIFIED:
DIMENSIONS ARE IN MILLIMETERS
TOLERANCES:
LINEAR: ±0.5mm
ANGULAR: ±0.5 DEG

DEBUR AND
BREAK SHARP EDGES

WEIGHT: 113304.02g



DRAWN: I.JAMES	PRODUCT	G3101D/17D/07D	
DATE: 19/04/12	TITLE	SPARES FITMENTS	
SCALE: 1:10	DRAWING NUMBER	AA49463	ISSUE C
MATL:	PART No:		
THICKNESS:	FINISH:		
BIN No:			



ITEM	DESCRIPTION	SPARES No	
		G3161	G3161D
1	REAR HOB RAIL	535330005	
2	FRONT HOB RAIL	535330006	
3	RH OUTER SIDE PANEL	535200001	
4	LH OUTER SIDE PANEL	535200000	
5	CONTROL PANEL	535330007	
6	RH HINGED DOOR ASSEMBLY (STANDARD)	535330008	N/A
6.1	DOOR HANDLE	535290022	N/A
6.2	DOOR CATCH	535480054	N/A
6.3	DOOR HINGE BUSH	535480077	N/A
7	LH HINGED DOOR ASSEMBLY (OPTION NOT SHOWN)	535330009	N/A
7.1	DOOR HANDLE	535290022	N/A
7.2	DOOR CATCH	535480054	N/A
7.2	DOOR HINGE BUSH	535480077	N/A
8	TOP DOOR HINGE - RH (STANDARD)	535200008	N/A
9	BOTTOM DOOR HINGE - RH(STANDARD)	535200009	N/A
10	TOP DOOR HINGE - LH (OPTION NOT SHOWN)	535200006	N/A
11	BOTTOM DOOR HINGE - LH (OPTION NOT SHOWN)	535200007	N/A
12	DOOR KATCH KEEPER	535480096	N/A
13	DOOR SEAL	535241010	
14	OVEN SHELF HANGER	535200012	
15	OVEN SHELF	535330010	
16	OVEN BASE PLATE PRE JAN 17	535330011	535290049
16	OVEN BASE PLATE POST JAN 17	535290081	535290082
17	O/T CONTROL KNOB	535290025	
18	OVEN CONTROL KNOB	535290026	
19	PAN SUPPORT	535290027	
20	ADJUSTABLE FOOT	535290028	
21	REAR FIXED CASTOR (NOT SHOWN)	534103055	
22	FRONT SWIVEL CASTOR (NOT SHOWN)	530964350	
23	OVEN DOOR ASSY	N/A	535290045
24	OVEN DOOR HANDLE		535290046
25	DOOR HINGE SET	N/A	535290038
26	DOOR HINGE PLATE SET (NOT SHOWN)	N/A	535290039
27	BOTTOM SKIRT PANEL	N/A	535290047

PRODUCTION ISSUE

ISSUE	MOD No	ALTERATION	DRAWN BY	DATE
B	6834	DETAILS ADDED FOR G3161D	P.METCALFE	06/03/13
C	8093	ADDITION OF PRE & POST DATES FOR OVEN BOTTOM TRAYS	F.GARVOCK	23/04/18

IF IN DOUBT ASK
DO NOT SCALE
FIRST ANGLE PROJECTION

UNLESS OTHERWISE SPECIFIED:
DIMENSIONS ARE IN MILLIMETERS
TOLERANCES:
LINEAR: ±0.5mm
ANGULAR: ±0.5 DEG

DEBUR AND
BREAK SHARP EDGES

WEIGHT: 81418.65g



DRAWN: IAIN JAMES	PRODUCT	G3161	
DATE: 31/05/11	TITLE	SPARES-FITMENTS	
SCALE: 1:10	DRAWING NUMBER	AA48642	
MATL: -	ISSUE	C	
THICKNESS:	FINISH:		
BIN No:	PART No:		

NO REPRODUCTION OR PUBLICATION OF THIS DRAWING MAY BE MADE AND NO ARTICLE MAY BE MANUFACTURED OR ASSEMBLED IN ACCORDANCE WITH THIS DRAWING WITHOUT PRIOR WRITTEN CONSENT. THIS PROHIBITION IS A TERM OF ANY CONTRACT RELATING TO THIS DRAWING. RIGHTS RESERVED UNDER THE COPYRIGHT ACT 1956 AS AMENDED BY THE DESIGN COPYRIGHT ACT 1968